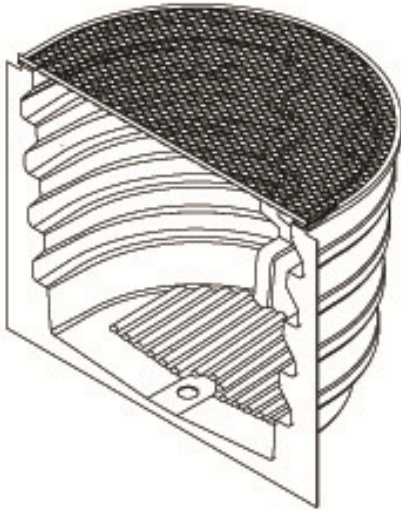




## Rhino Egress Window Well Grate/Cover

The International Residential Code 2006 (IRC) permits: Bars, grills, covers, screens or similar devices to be placed over emergency escape and rescue openings, bulkhead enclosures, or WINDOW WELLS that serve such openings.

Rhino Egress Well shown with Steel Egress Window Well Grate



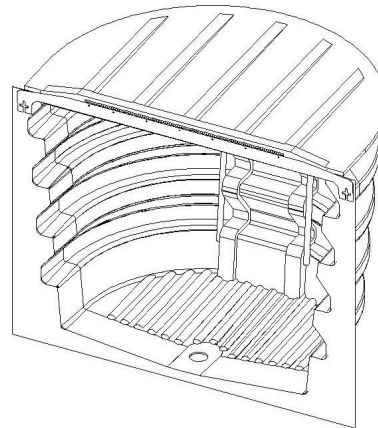
### Features for Grate:

- Part No. WW-44176
- Rugged steel construction..
- Grates lift off easily for exit requirements.
- Tested to withstand 250 pound load limit\*.
- No hardware needed to install.
- Dimensions: Width (inside lip) - 74 3/4" , Projection – 46.5"
- Weight: 26 lbs.
- Primer Gray Color

### Features for Clear Cover:

- Part No. WW-44170
- Clear, safe polycarbonate cover.
- Install easily –hardware included.
- Allows natural light into the basement.
- \*Not suitable for load bearing weight.
- Dimensions: Width (inside lip) - 76", Projection – 47"
- Weight: 28 lbs.

Rhino Egress Well shown with Egress Window Well Cover



\*Limitations: Grate and cover are not tested for permanent load limits. Cover could crack. Removal of ice, snow, etc. is recommended. Grate and cover cannot be used together. \*Rev 1/2014

Mar-flex / 500 Business Pkwy / Carlisle, Oh 45005  
800.498.1411 / 513.422.7285 / Fax 513.422.7282 / [www.mar-flex.com](http://www.mar-flex.com)