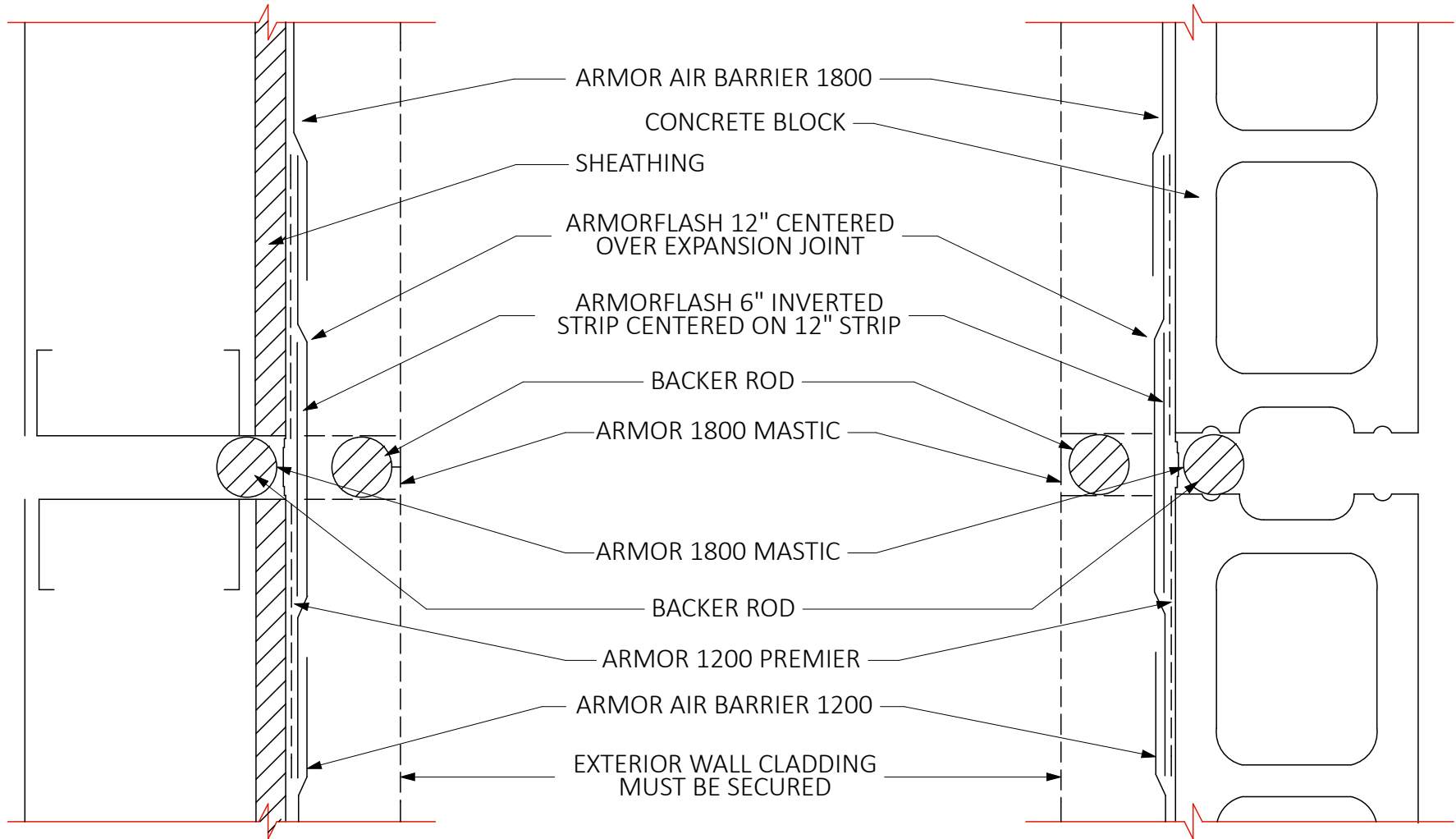




**WATERPROOFING &
BUILDING PRODUCTS**

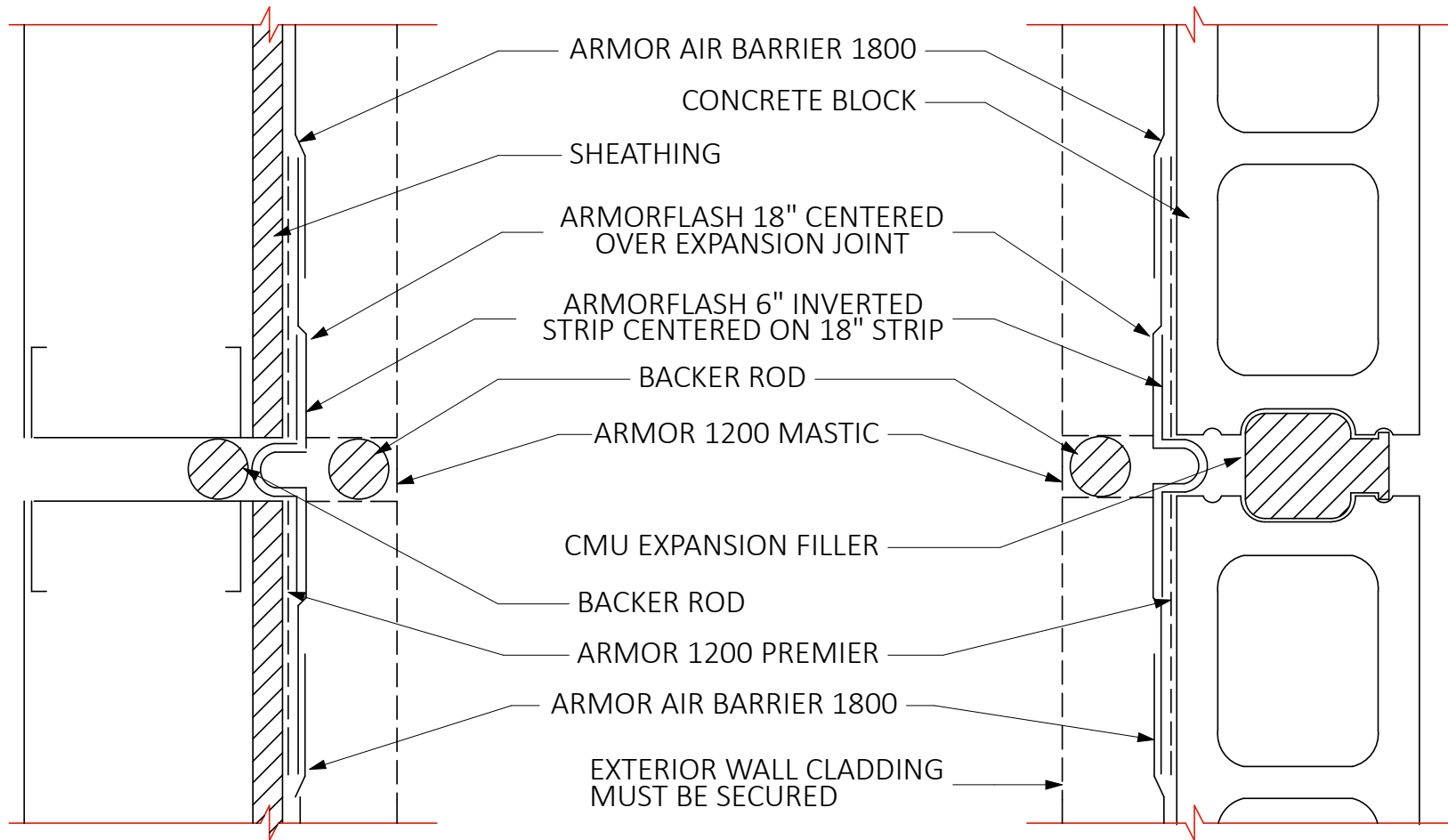


AVB-18 / EJ1-

**AIR & VAPOR BARRIER EXPANSION
JOINTS LESS THAN 1" WIDE**



**WATERPROOFING &
BUILDING PRODUCTS**

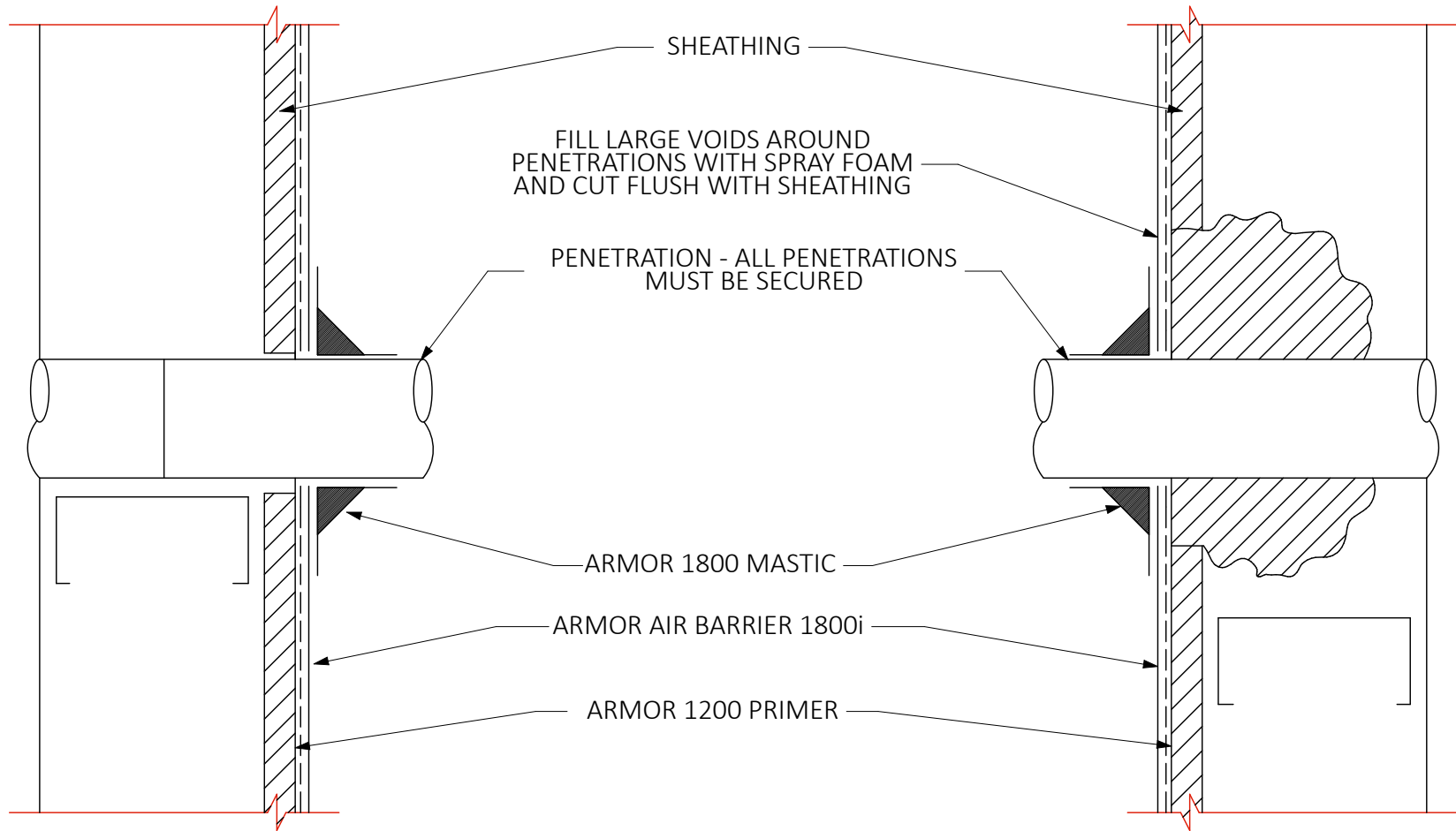


AVB-18 / EJ1+

**AIR & VAPOR BARRIER EXPANSION
JOINTS MORE THAN 1" WIDE**



**WATERPROOFING &
BUILDING PRODUCTS**

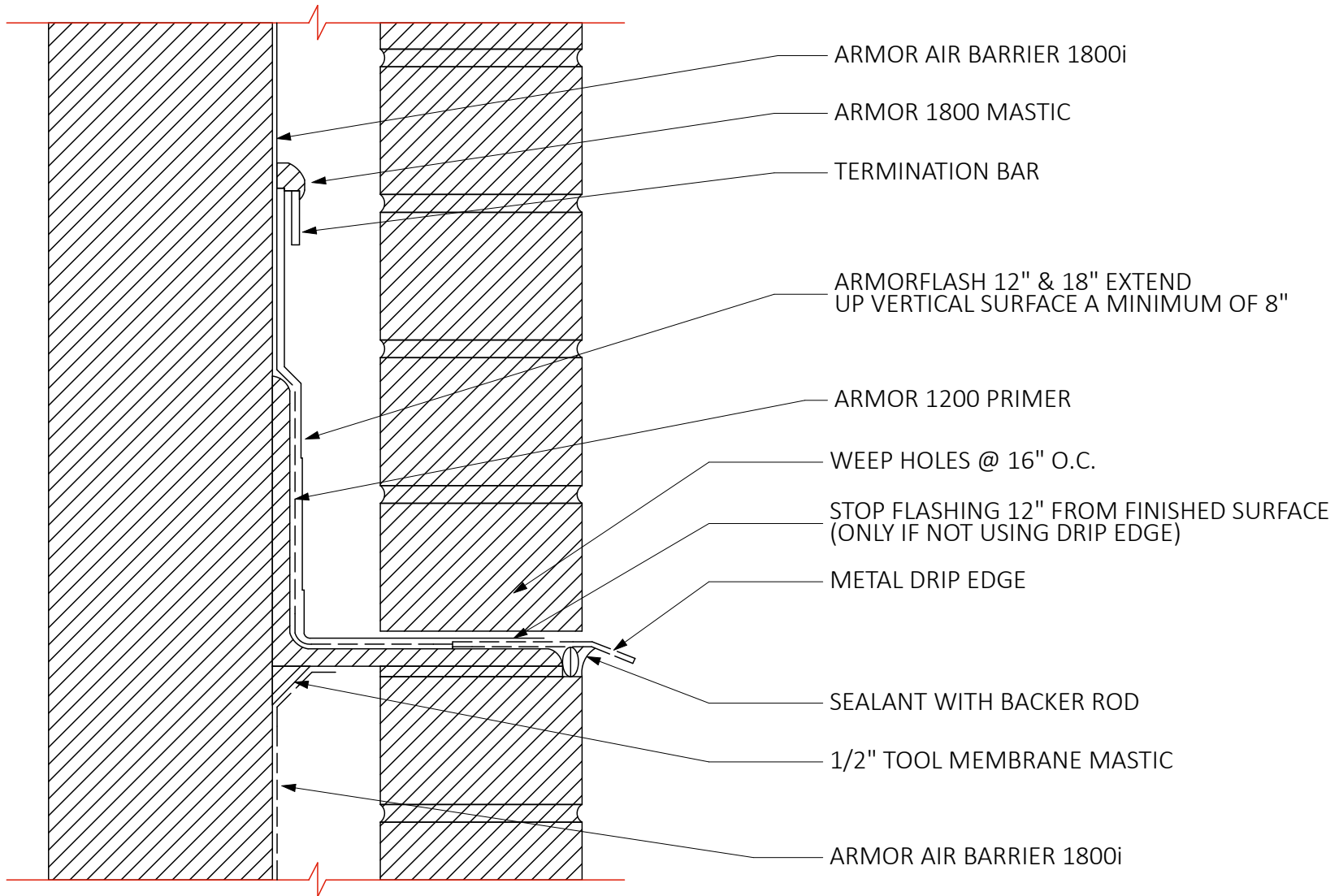


AVB-18 / PP

AIR & VAPOR BARRIER PIPE PENETRATION



**WATERPROOFING &
BUILDING PRODUCTS**

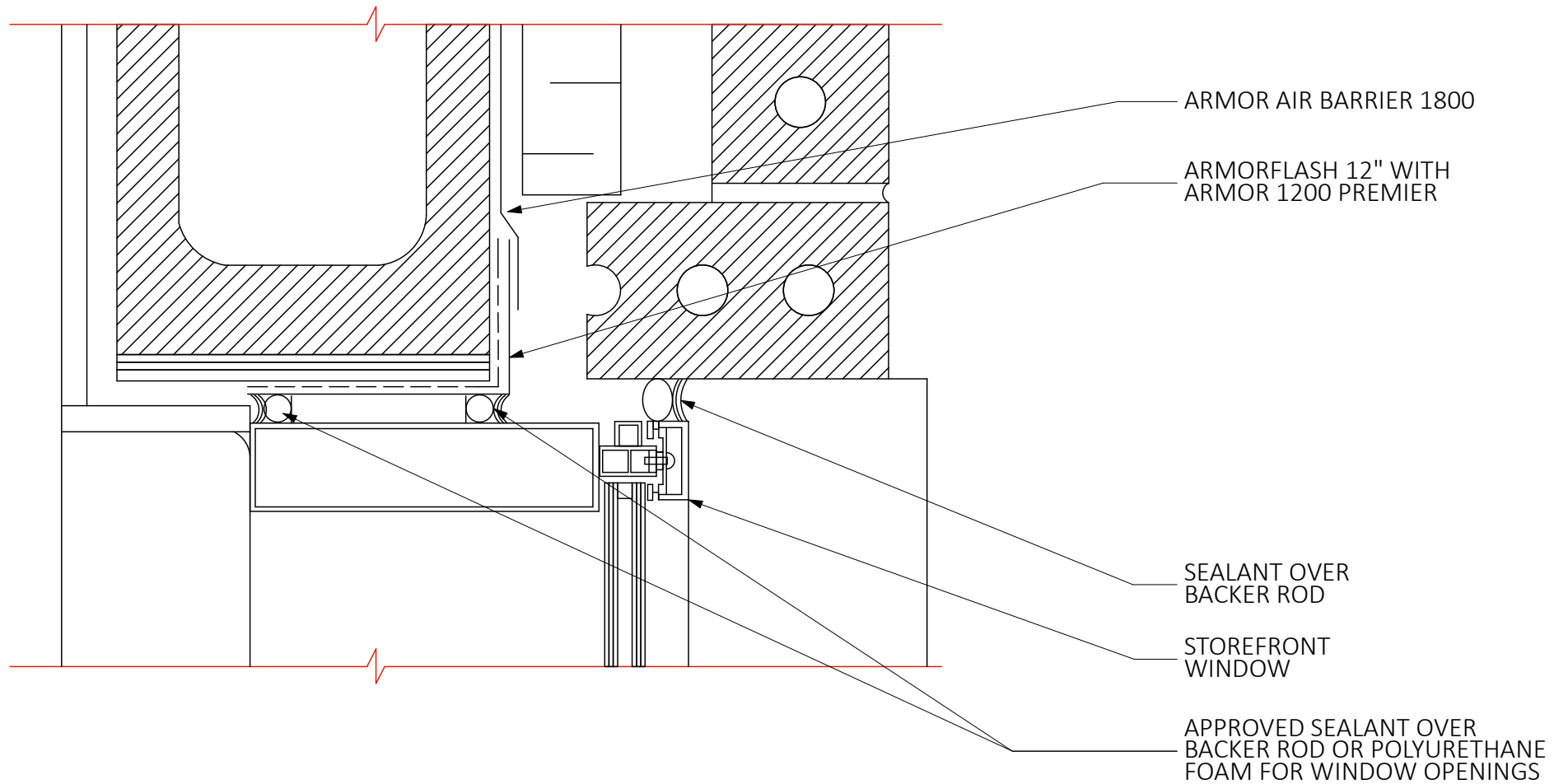


AVB-18 / SA

AIR & VAPOR BARRIER SHELF ANGLE



**WATERPROOFING &
BUILDING PRODUCTS**

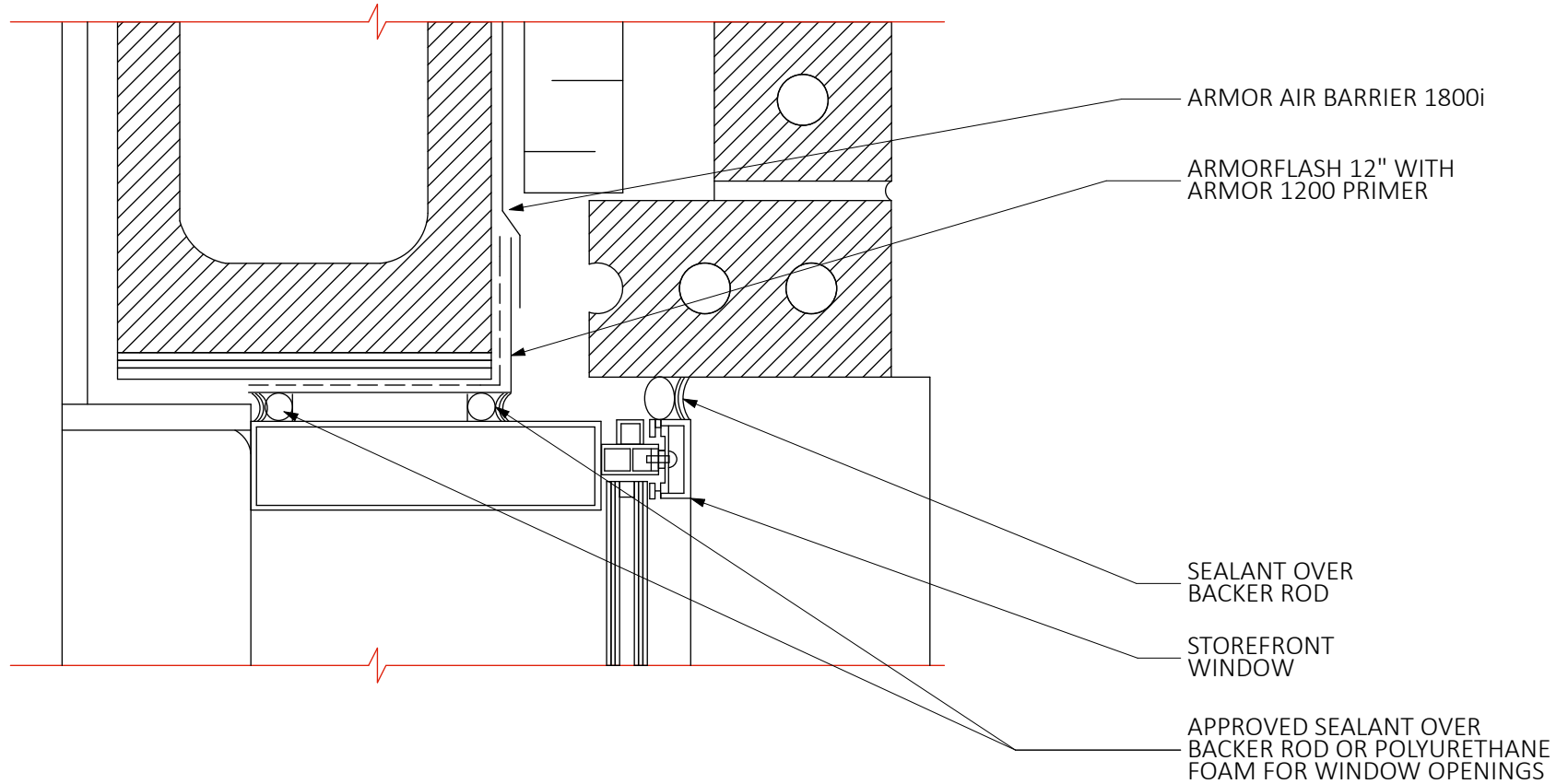


AVB-18 / SFH

STORE FRONT JAMB



**WATERPROOFING &
BUILDING PRODUCTS**

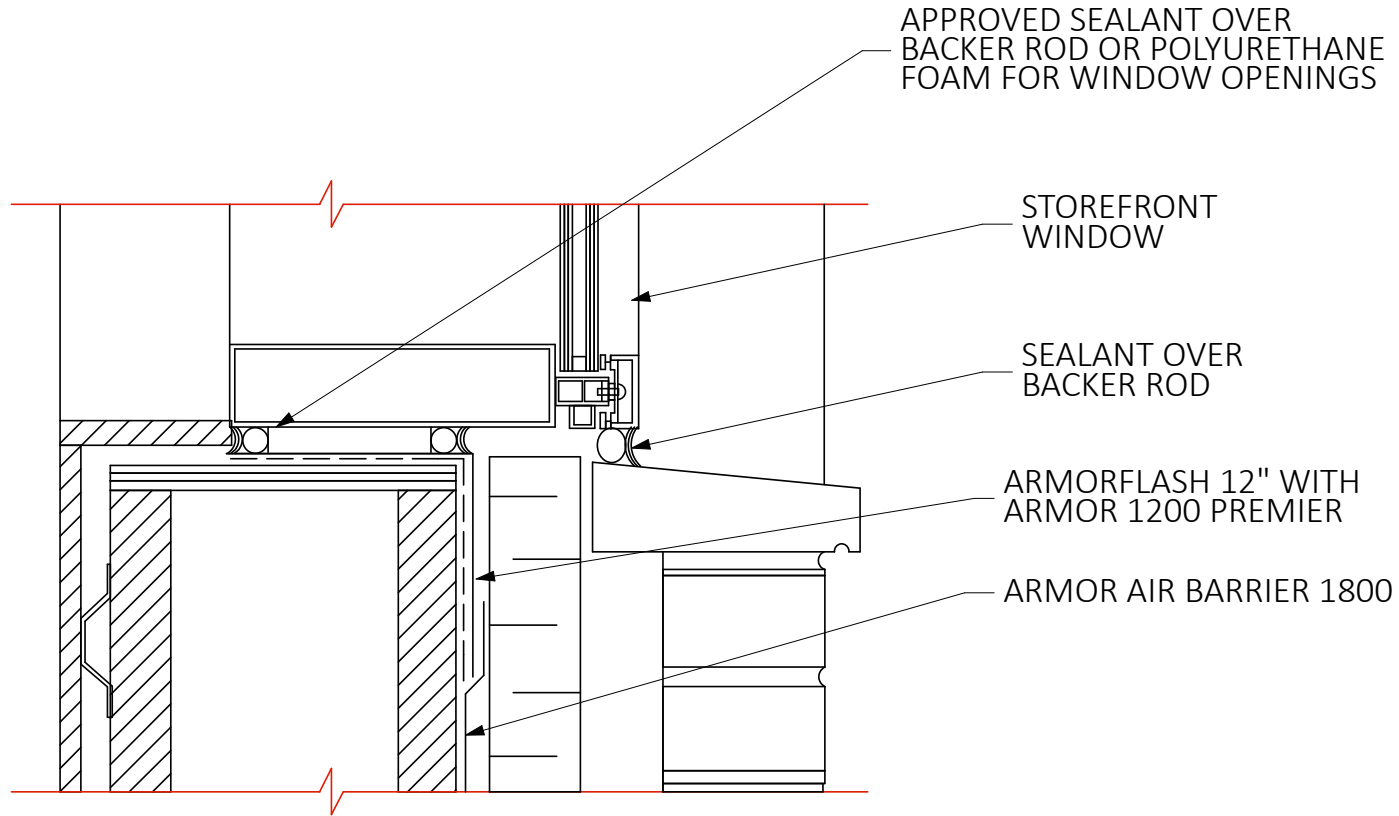


AVB-18 / SFH

STORE FRONT JAMB



**WATERPROOFING &
BUILDING PRODUCTS**

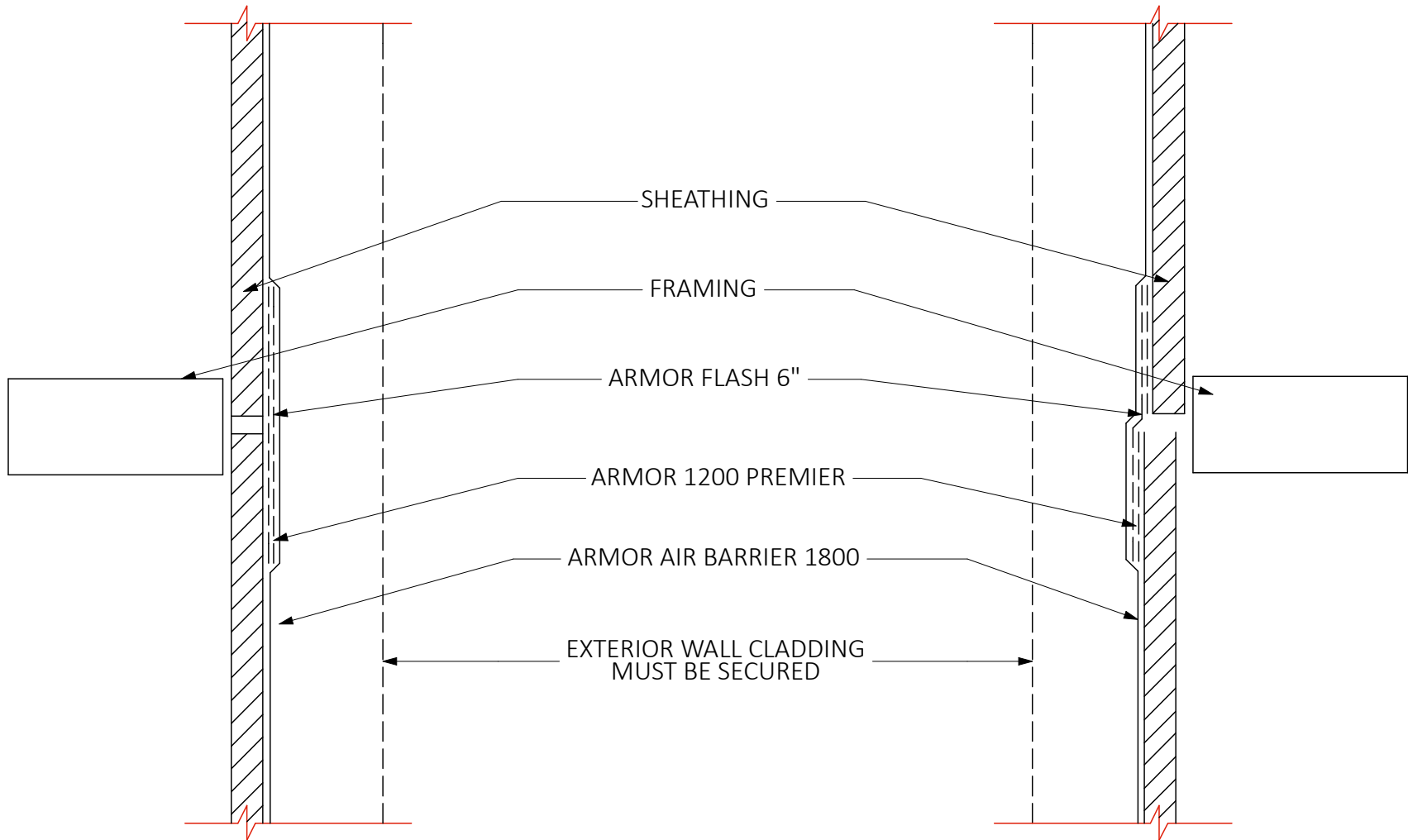


AVB-18 / SFS

STORE FRONT SILL



**WATERPROOFING &
BUILDING PRODUCTS**

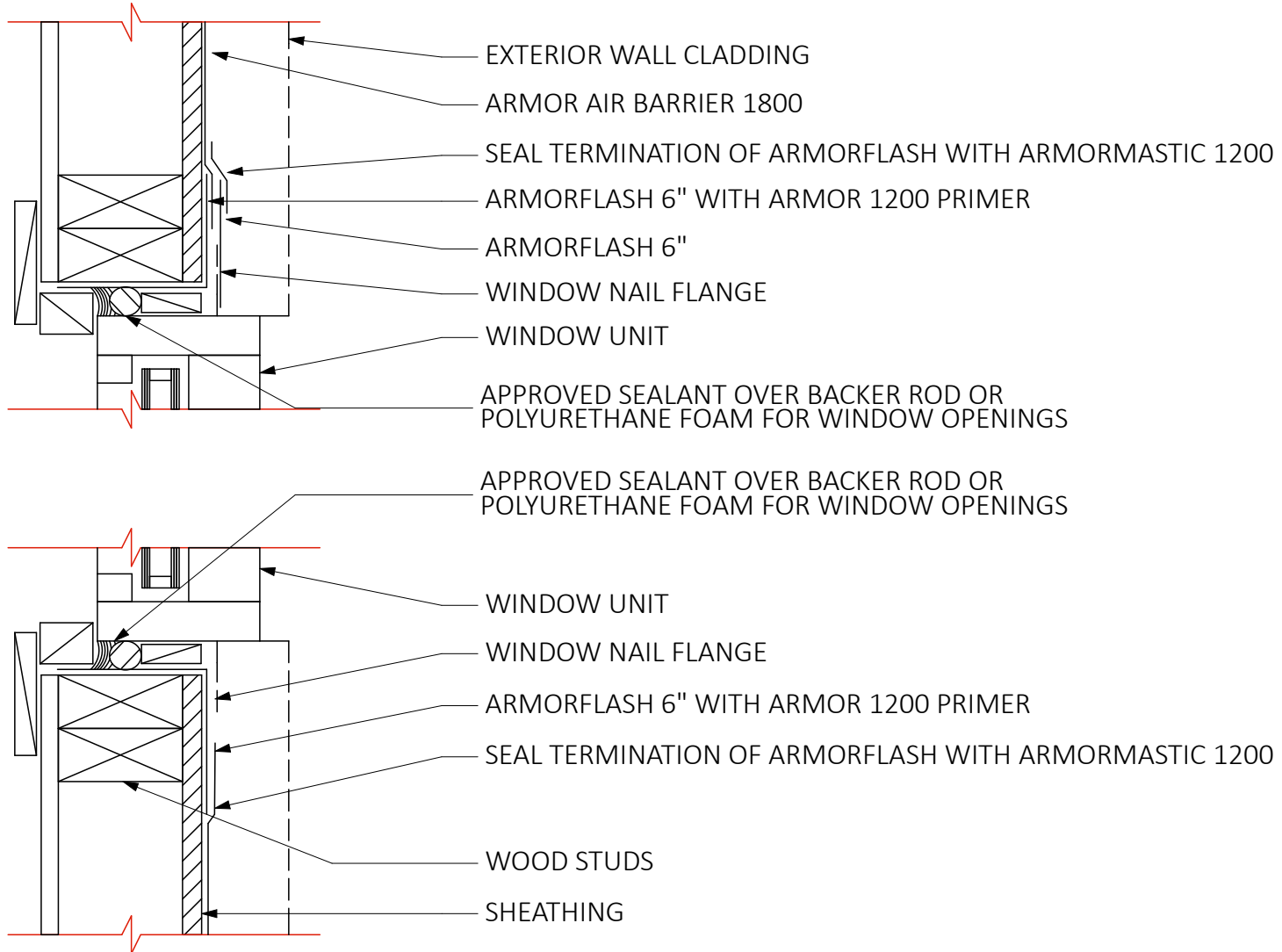


AVB-18 / SJ

AIR & VAPOR BARRIER SHEATHING JOINT 1/4" OR LESS



**WATERPROOFING &
BUILDING PRODUCTS**



AVB-18 / WFD

**AIR & VAPOR BARRIER WOOD STUD AND
SHEATHING WINDOW FLANGE DETAIL**