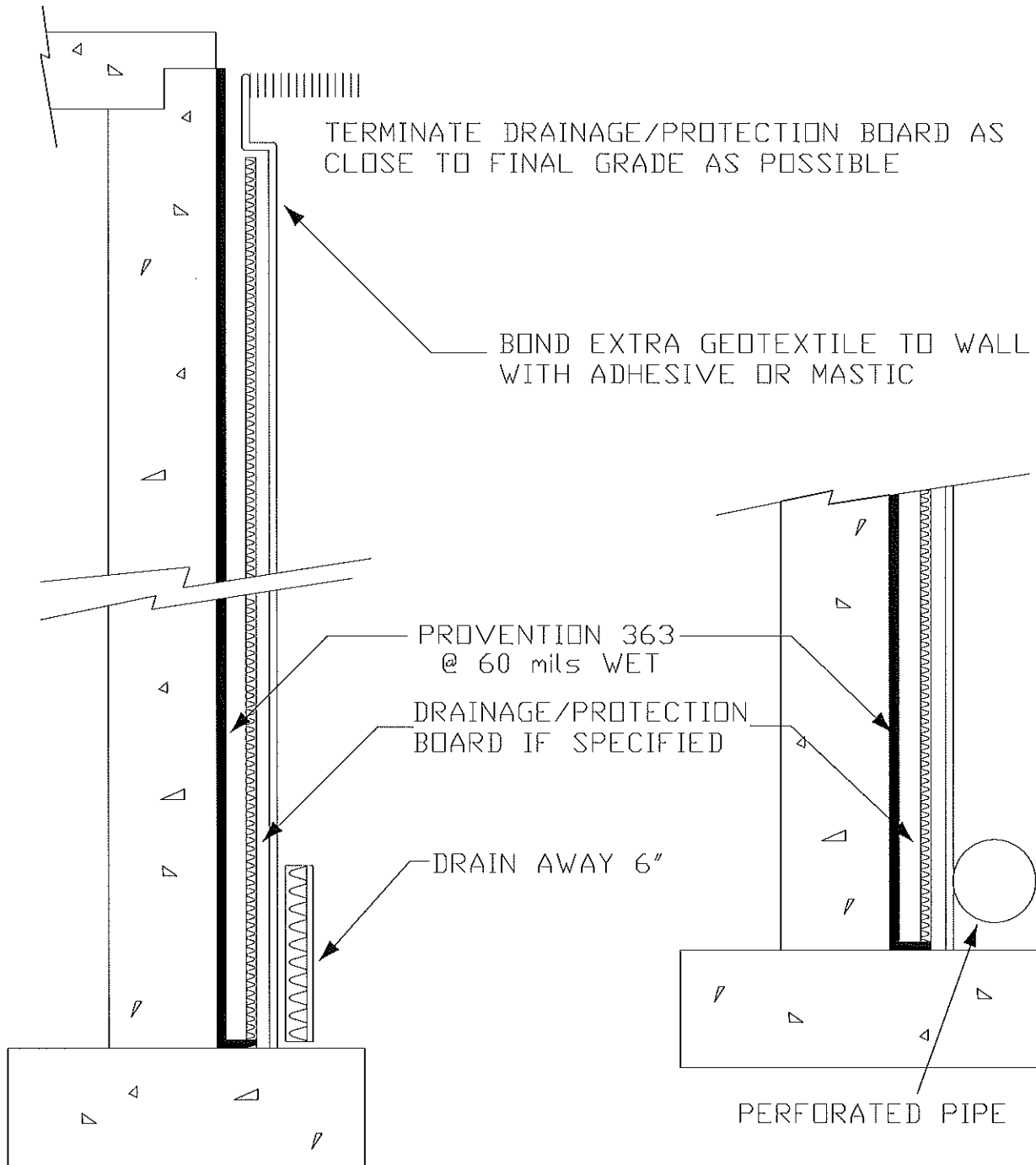


# TYPICAL FOUNDATION WALL DETAIL

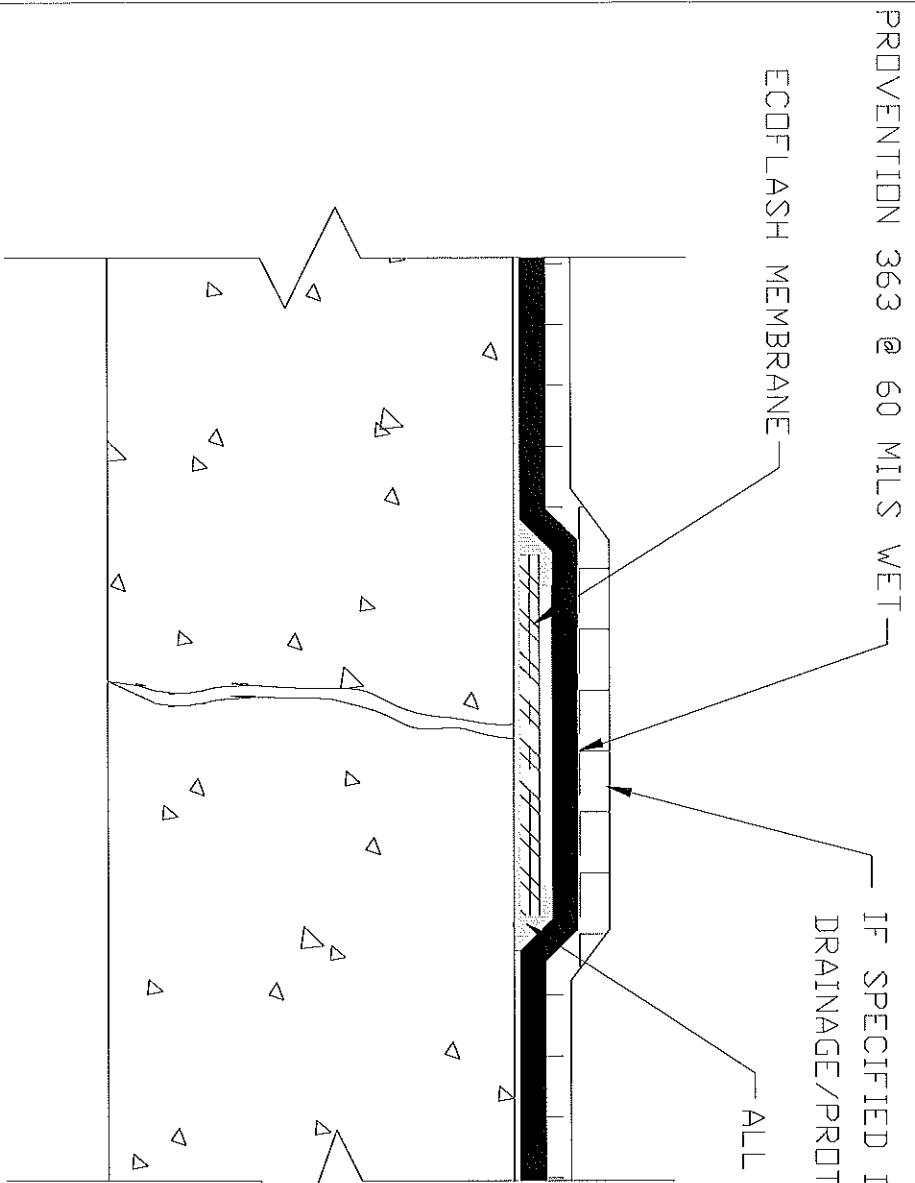


NOTE: ALTERNATE METHOD FOR WATER COLLECTION. SEE DRAIN AWAY FOUNDATION DRAINAGE FOR FITTINGS AND ADAPTORS

Mar-flex Building Solutions  
6866 Chrisman Lane  
Middletown, OH 45042  
513-422-7285/800-498-1411  
www.marflexbuildingsolutions.com

P363/FWS

CRACK TREATMENT GREATER THAN 1/16" CONSTRUCTION JOINTS OR MOVING CRACKS

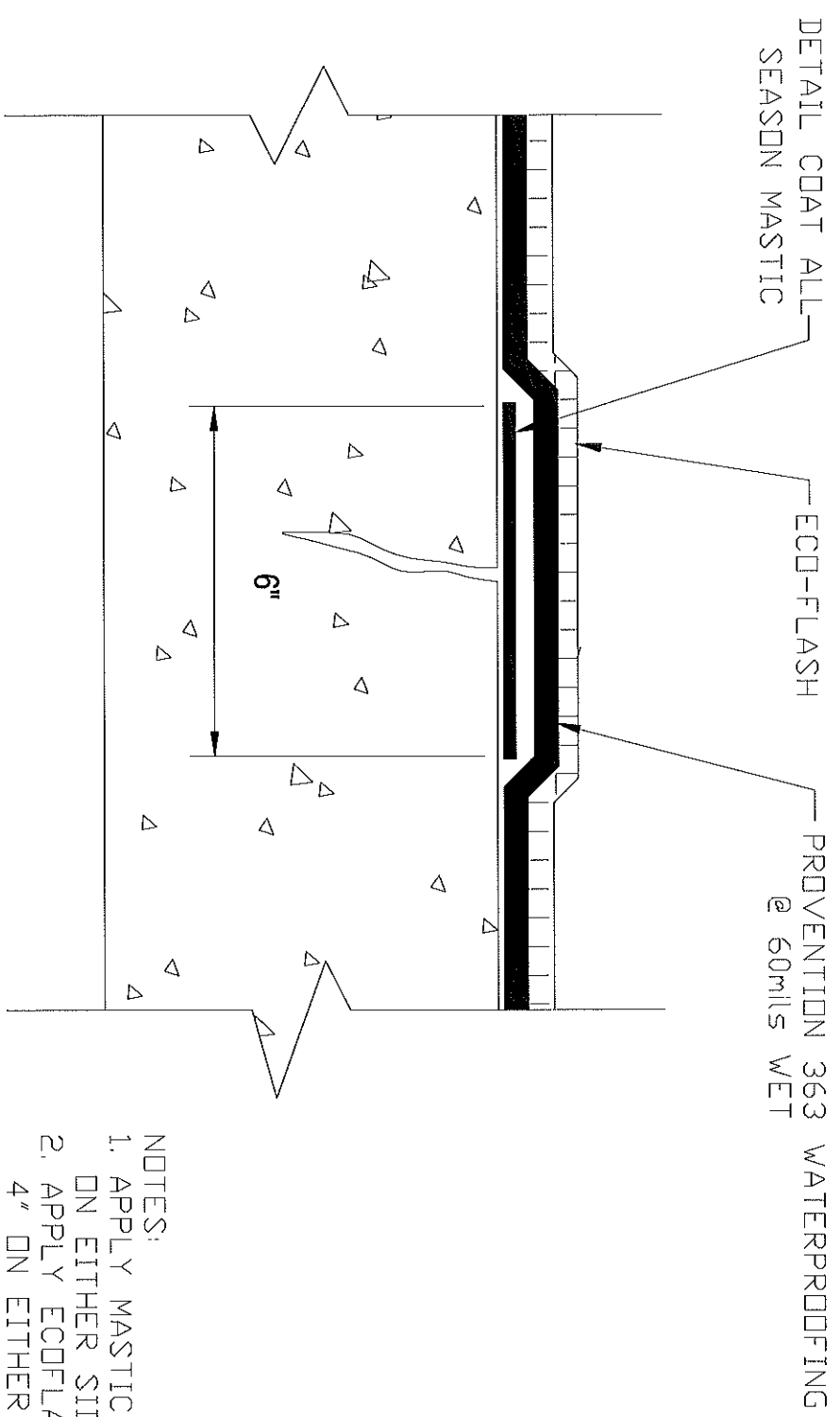


- NOTES:
1. DETAIL JOINT OR CRACK WITH ALL SEASON MASTIC.
  2. EMBED ECDFLASH IN MASTIC DETAIL SEAMS WITH MASTIC.
  3. APPLY WATERPROOFING @ 60mils WET.
  4. INSTALL DRAINAGE/PROTECTION BOARD IF SPECIFIED.

Mar-flex Building Solutions  
 6866 Chrisman Lane  
 Middletown, OH 45042  
 513-422-7285/800-498-1411  
 www.marflexbuildingsolutions.com

P363/CTG

CRACK TREATMENT  
NON MOVING CRACKS LESS THAN 1/16"

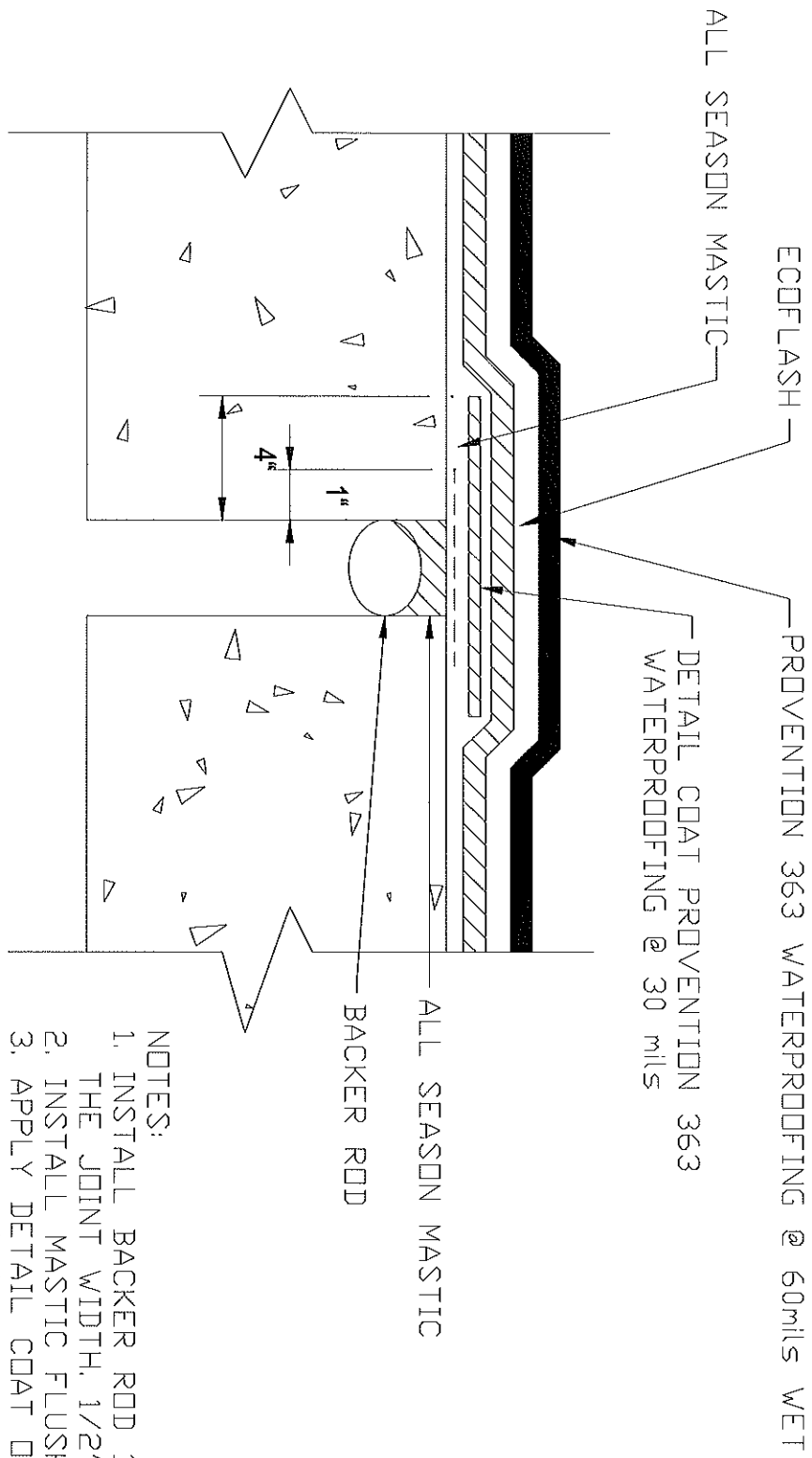


- NOTES:
1. APPLY MASTIC A MINIMUM OF 2" ON EITHER SIDE OF CRACK.
  2. APPLY ECCOFLASH A MINIMUM OF 4" ON EITHER SIDE OF CRACK.
  3. DETAIL ALL ECCOFLASH SEAMS WITH MASTIC

Mar-flex Building Solutions  
 6866 Chrisman Lane  
 Middletown, OH 45042  
 513-422-7285 / 800-498-1411  
 www.marflexbuildingsolutions.com

P363/CTL

# EXPANSION JOINTS LESS THAN 1/2"

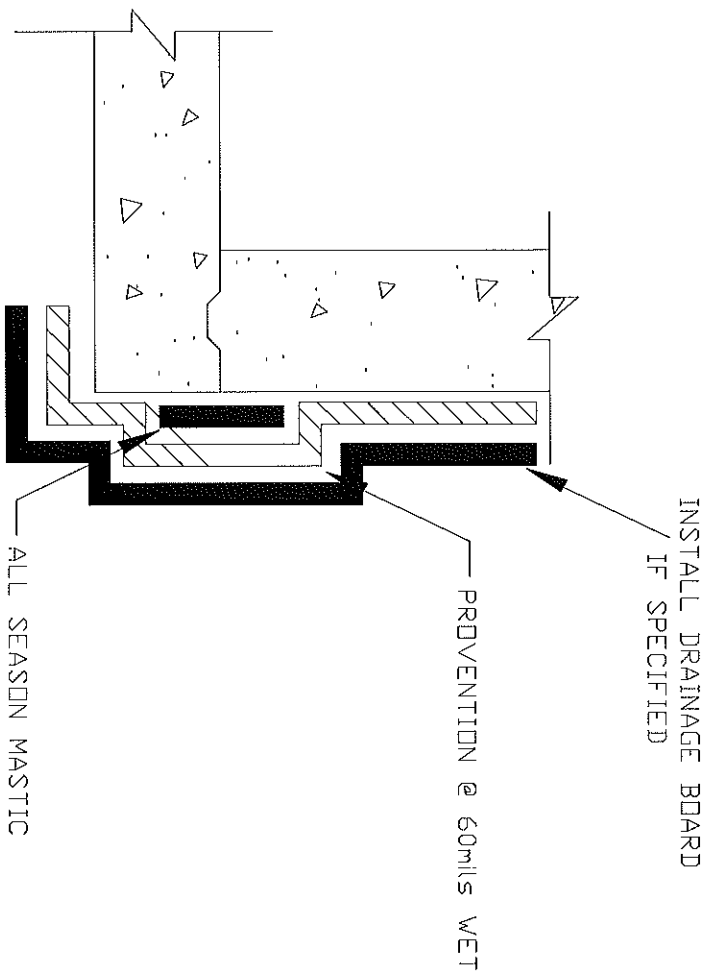
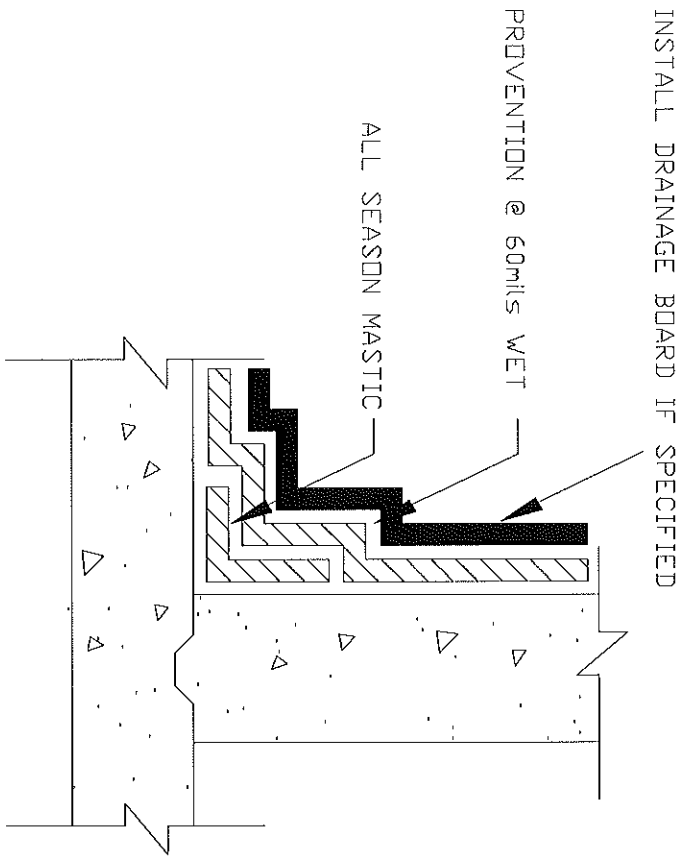


- NOTES:
1. INSTALL BACKER ROD 1/2 THE DEPTH OF THE JOINT WIDTH. 1/2" W = 1/4" DEPTH.
  2. INSTALL MASTIC FLUSH WITH SURFACE.
  3. APPLY DETAIL COAT OF PROVENTION WATERPROOFING @ 30mils WET
  4. APPLY WATERPROOFING COAT @ 60mils WET

Mar-flex Building Solutions  
 6866 Chrisman Lane  
 Middletown, OH 45042  
 513-422-7285/800-498-1411  
 www.marflexbuildingsolutions.com

P363/EJL

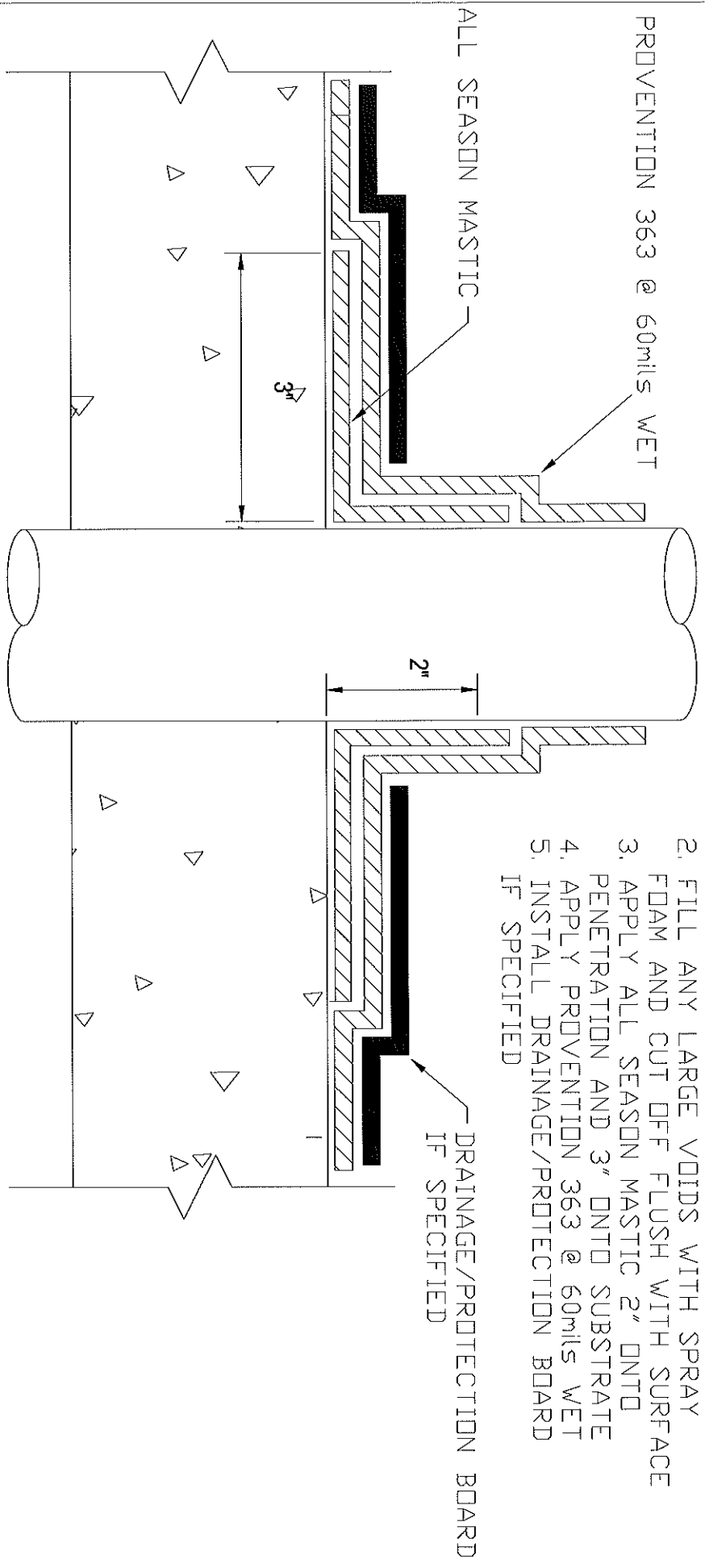
# INSIDE/OUTSIDE ANGLE CHANGES WITH CONSTRUCTION JOINT



Mar-flex Building Solutions  
6866 Chrisman Lane  
Middletown, OH 45042  
513-422-7285/800-498-1411  
www.marflexbuildingsolutions.com

P363/ACCJ

# PIPE PENETRATION

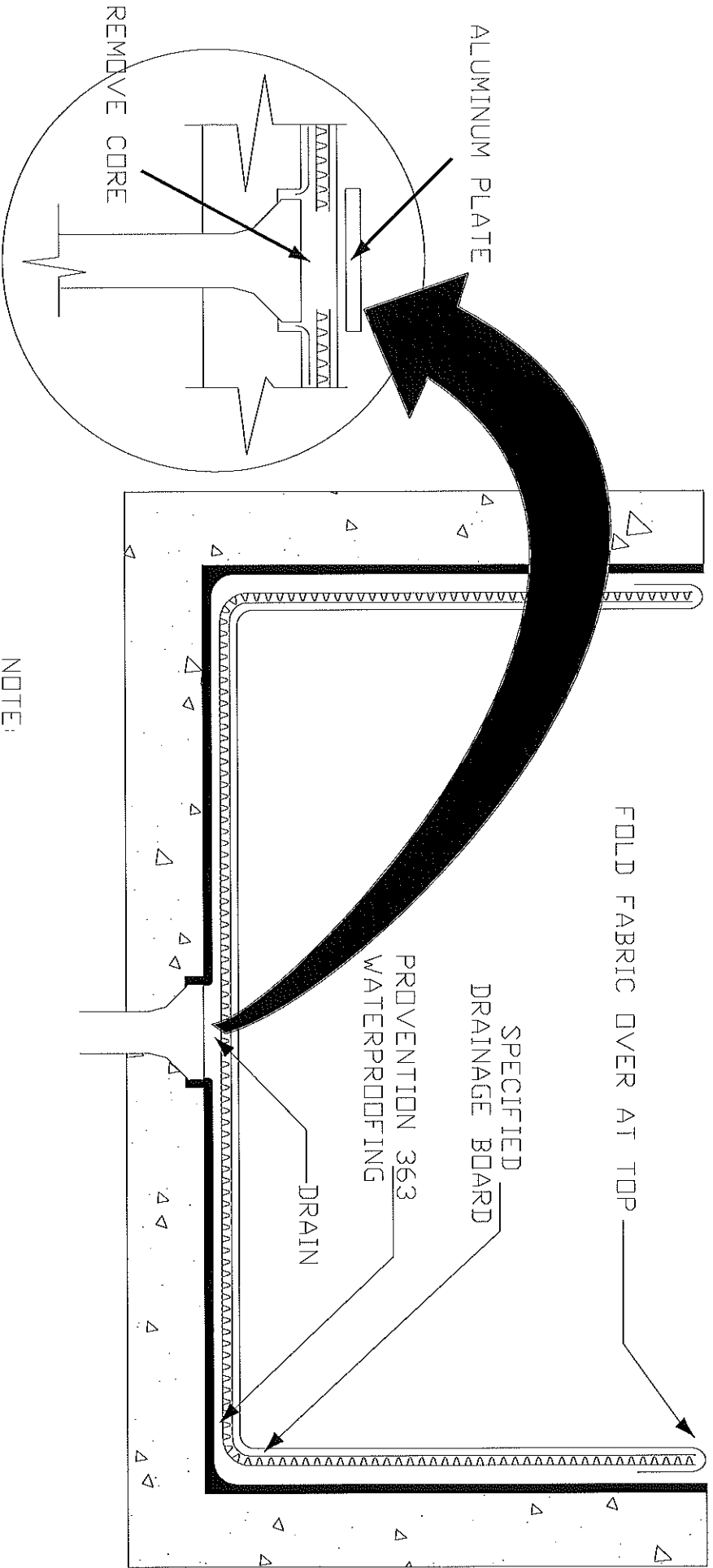


- NOTES:
1. CLEAN METAL TO BRIGHT FINISH
  2. FILL ANY LARGE VOIDS WITH SPRAY FOAM AND CUT OFF FLUSH WITH SURFACE
  3. APPLY ALL SEASON MASTIC 2" ONTO PENETRATION AND 3" ONTO SUBSTRATE
  4. APPLY PROVENTION 363 @ 60mils WET
  5. INSTALL DRAINAGE/PROTECTION BOARD IF SPECIFIED

Mar-flex Building Solutions  
 6866 Chrisman Lane  
 Middletown, OH 45042  
 513-422-7285/800-498-1411  
 www.marflexbuildingsolutions.com

P363/TPP

# TYPICAL PLANTER DETAIL



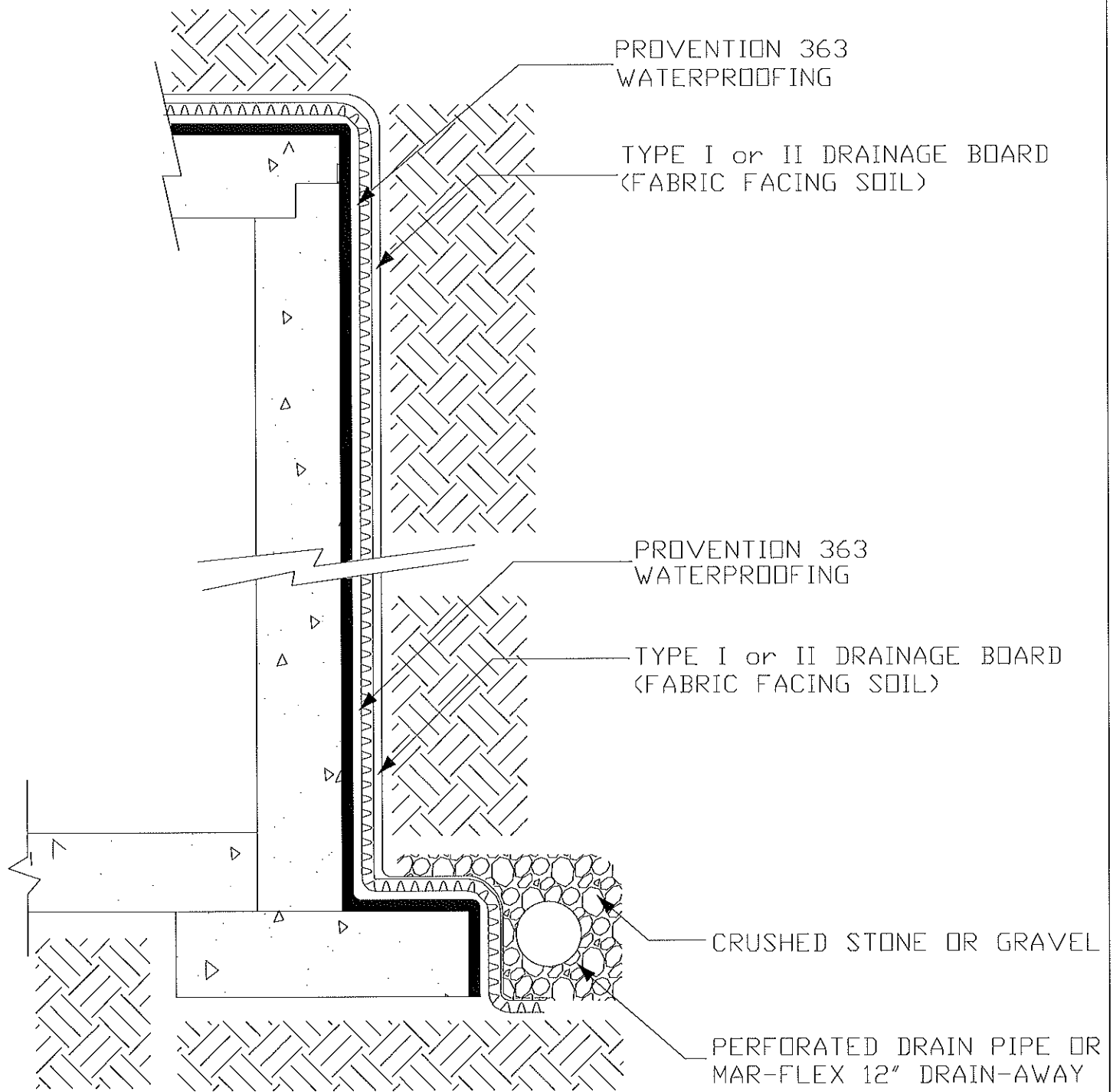
NOTE:  
WHEN USING DRAINAGE BOARD REMOVE CORE AND  
COVER WITH ALUMINUM PLATE AS SHOWN IN DETAIL

DETAIL 1

Mar-flex Building Solutions  
6866 Chrisman Lane  
Middletown, OH 45042  
513-422-7285/800-498-1411  
www.marflexbuildingsolutions.com

P363/TPD

# TYPICAL TUNNEL DETAIL



Mar-flex Building Solutions  
6866 Chrisman Lane  
Middletown, OH 45042  
513-422-7285/800-498-1411  
[www.marflexbuildingsolutions.com](http://www.marflexbuildingsolutions.com)

P363/TTD