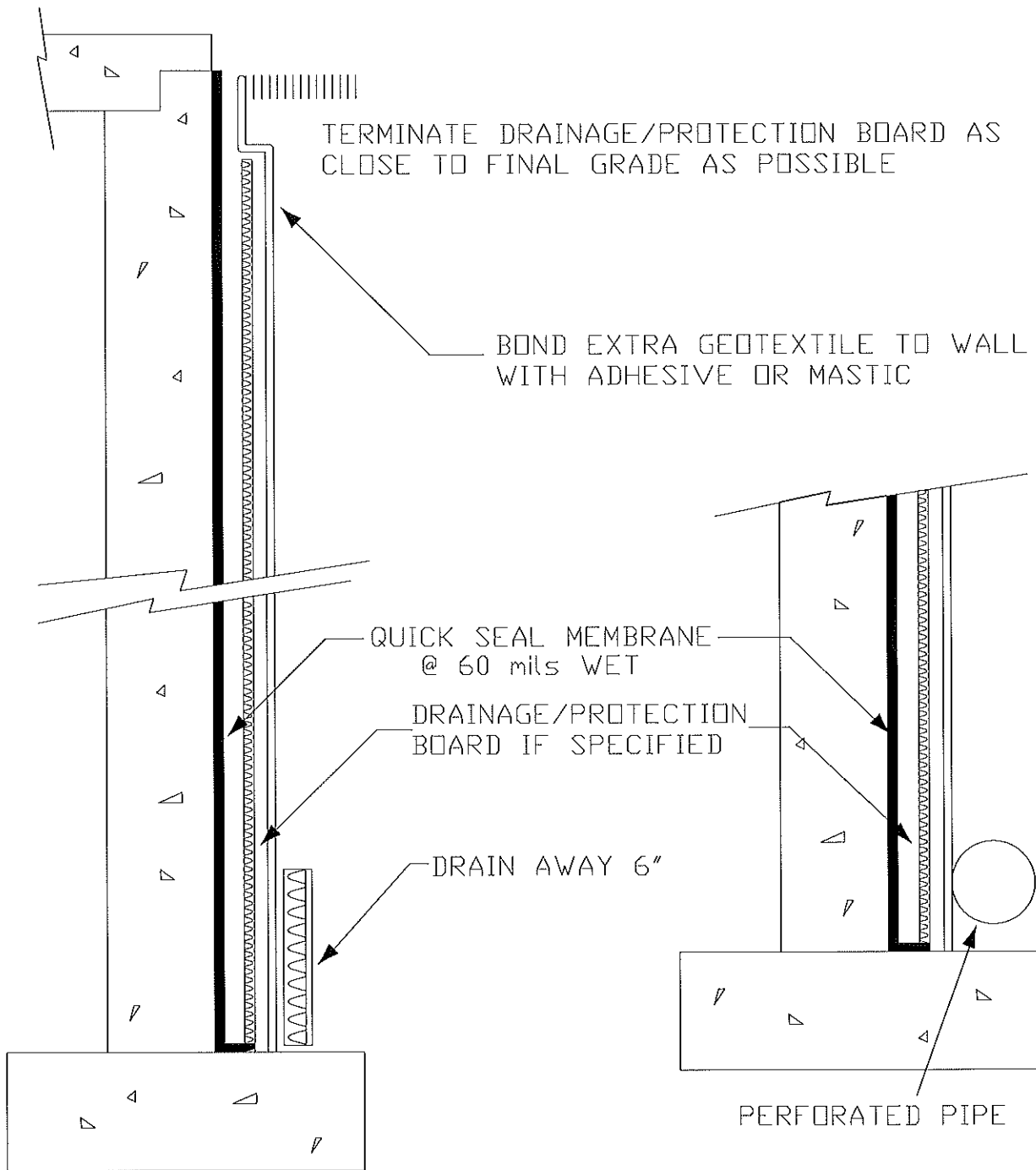


TYPICAL FOUNDATION WALL DETAIL

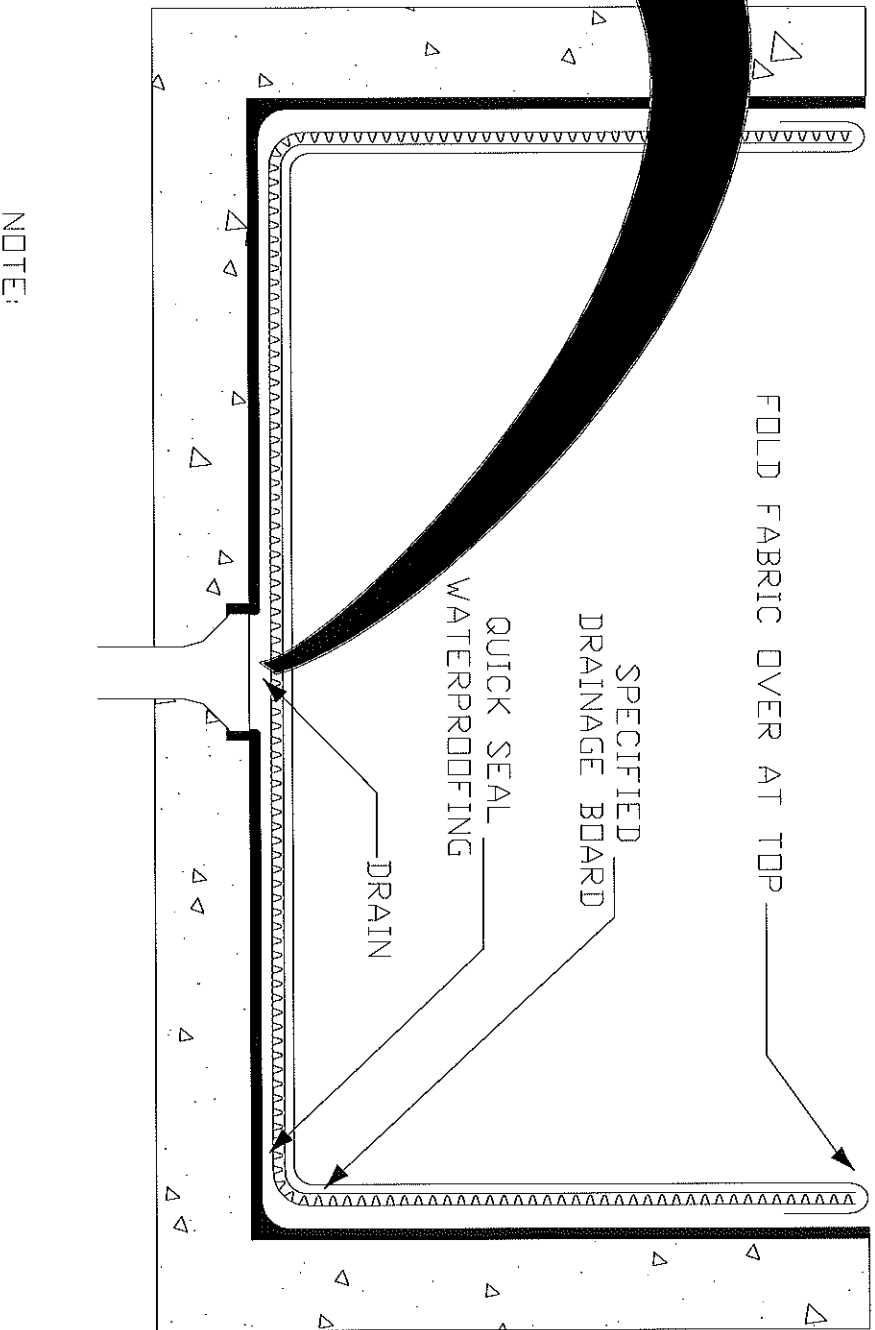


NOTE: ALTERNATE METHOD FOR WATER COLLECTION. SEE DRAIN AWAY FOUNDATION DRAINAGE FOR FITTINGS AND ADAPTORS

Mar-flex Building Solutions
6866 Chrisman Lane
Middletown, OH 45042
513-422-7285/800-498-1411
www.marflexbuildingsolutions.com

QS1/FWS

TYPICAL PLANTER DETAIL



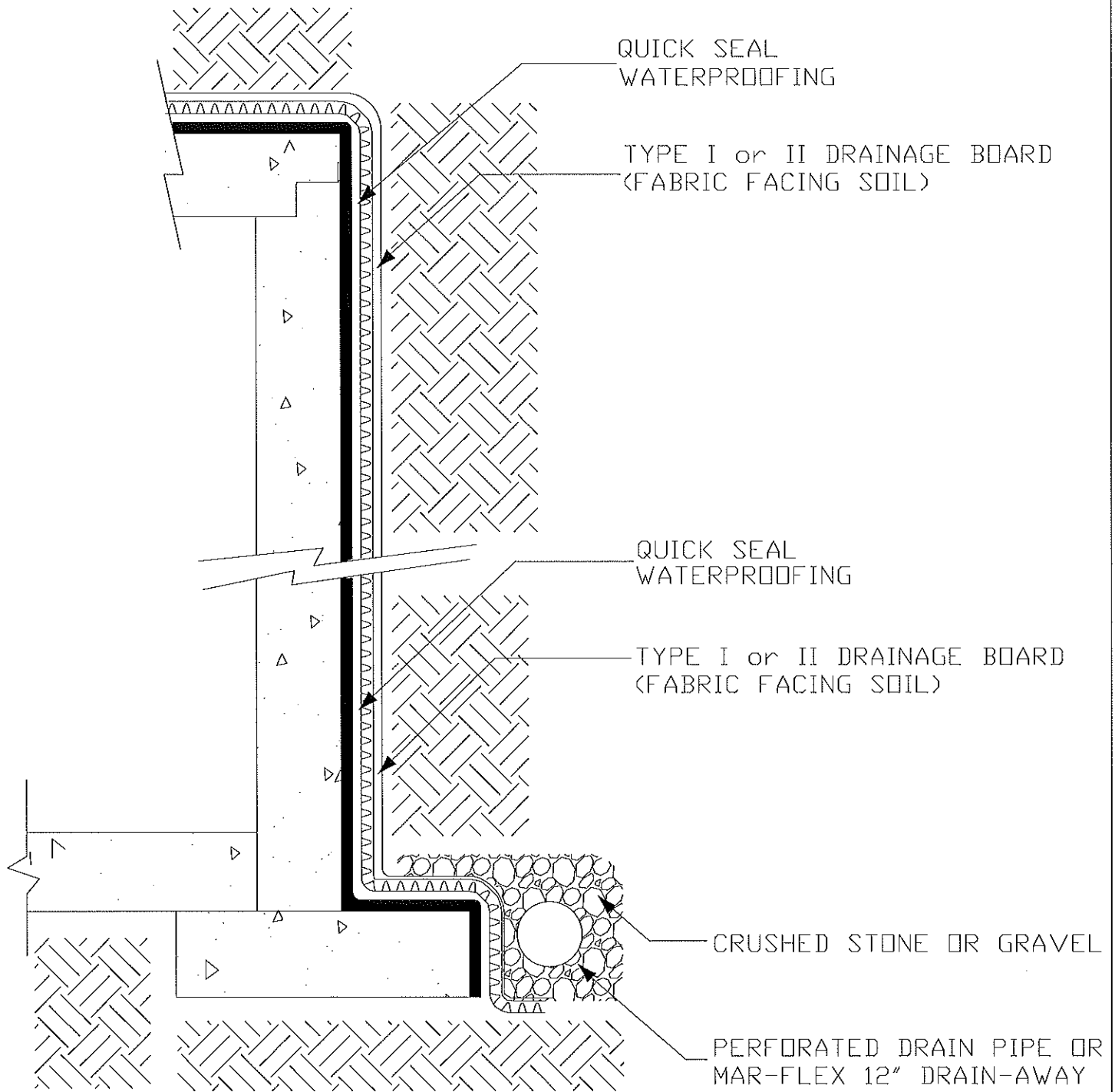
NOTE:
WHEN USING DRAINAGE BOARD REMOVE CORE AND
COVER WITH ALUMINUM PLATE AS SHOWN IN DETAIL

DETAIL 1

Mar-flex Building Solutions
6866 Chrisman Lane
Middletown, OH 45042
513-422-7285/800-498-1411
www.marflexbuildingsolutions.com

QS6/TPD

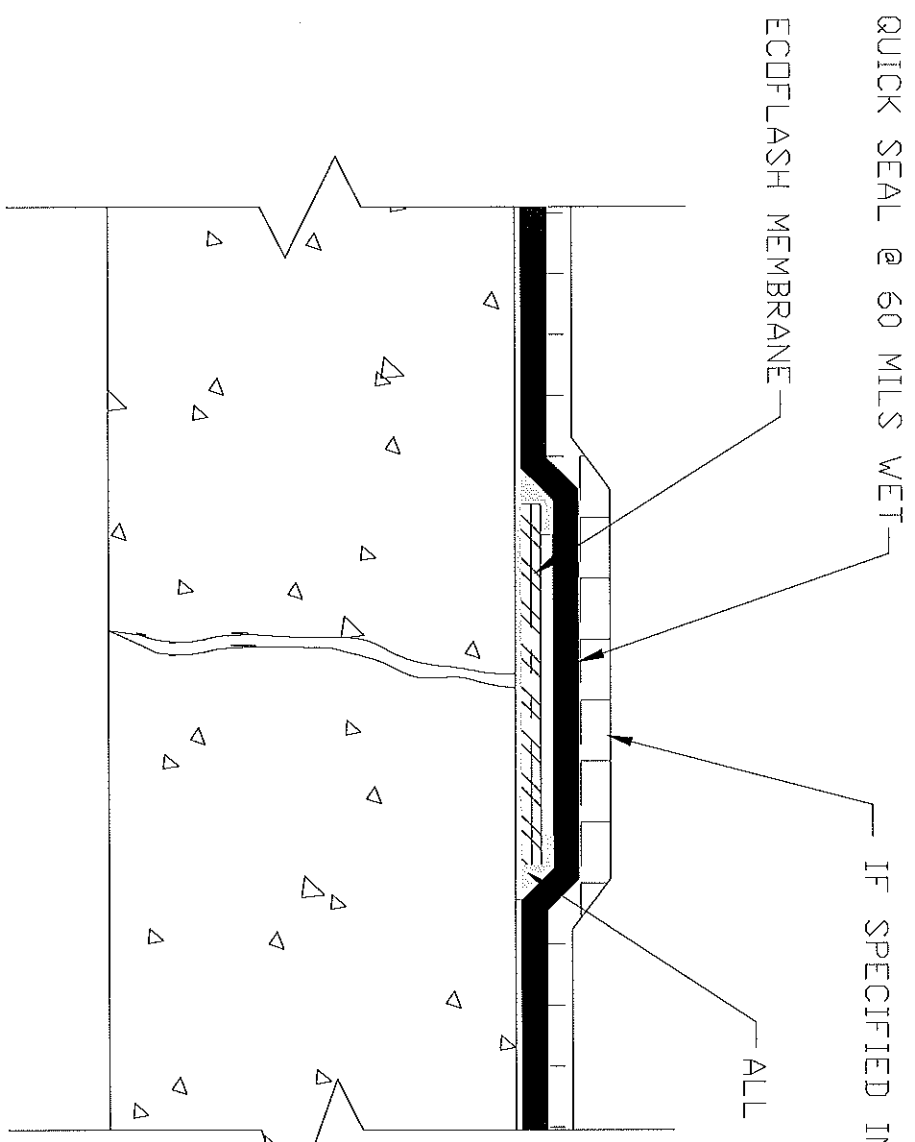
TYPICAL TUNNEL DETAIL



Mar-flex Building Solutions
6866 Chrisman Lane
Middletown, OH 45042
513-422-7285/800-498-1411
www.marflexbuildingsolutions.com

QS7/TTD

CRACK TREATMENT GREATER THAN 1/16" CONSTRUCTION JOINTS OR MOVING CRACKS

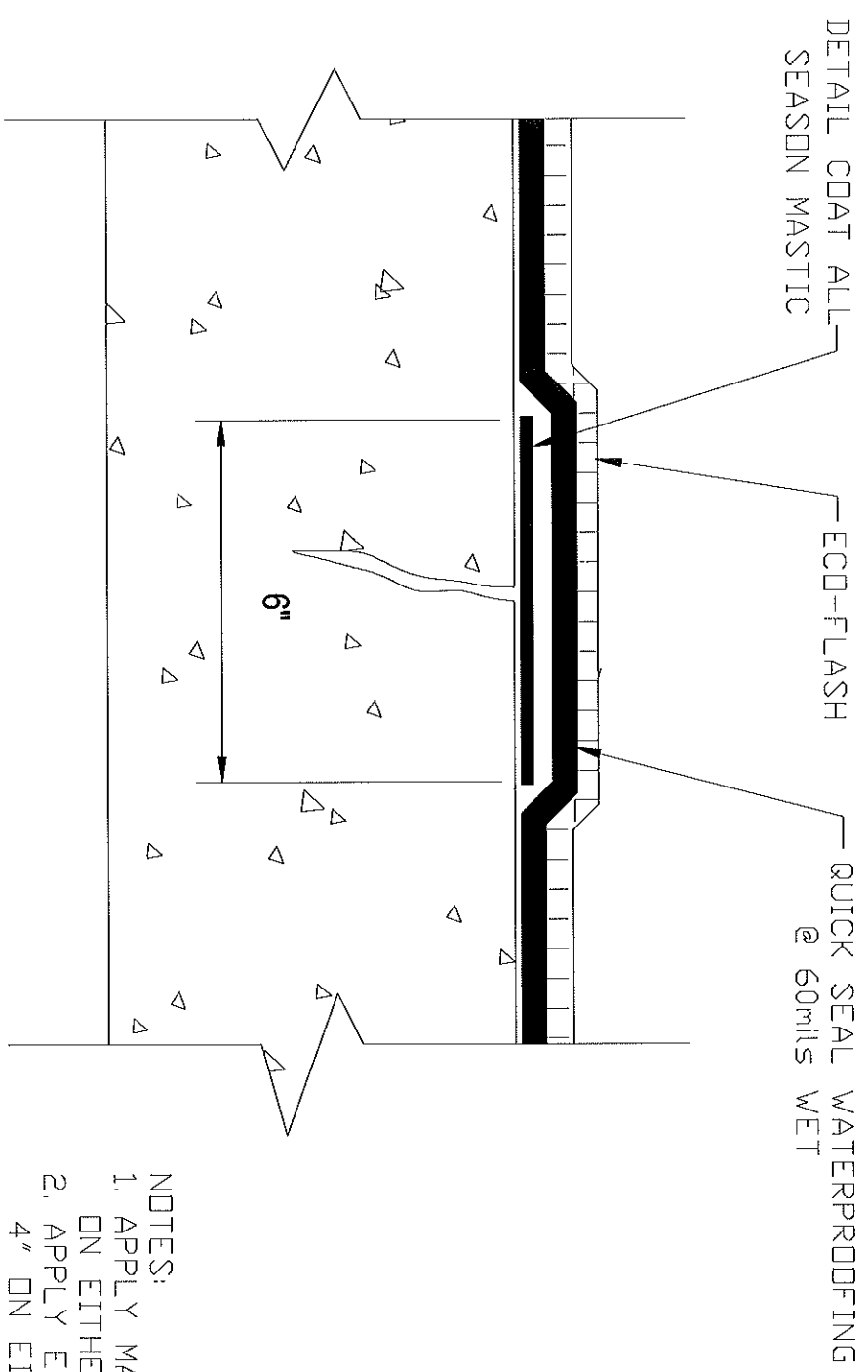


- NOTES:
1. DETAIL JOINT OR CRACK WITH ALL SEASON MASTIC.
 2. EMBED EODFLASH IN MASTIC DETAIL SEAMS WITH MASTIC.
 3. APPLY WATERPROOFING @ 60mils WET.
 4. INSTALL DRAINAGE/PROTECTION BOARD IF SPECIFIED.

Mar-flex Building Solutions
 6866 Chrisman Lane
 Middletown, OH 45042
 513-422-7285/800-498-1411
 www.marflexbuildingsolutions.com

QS3/CTG

CRACK TREATMENT
NON MOVING CRACKS LESS THAN 1/16"

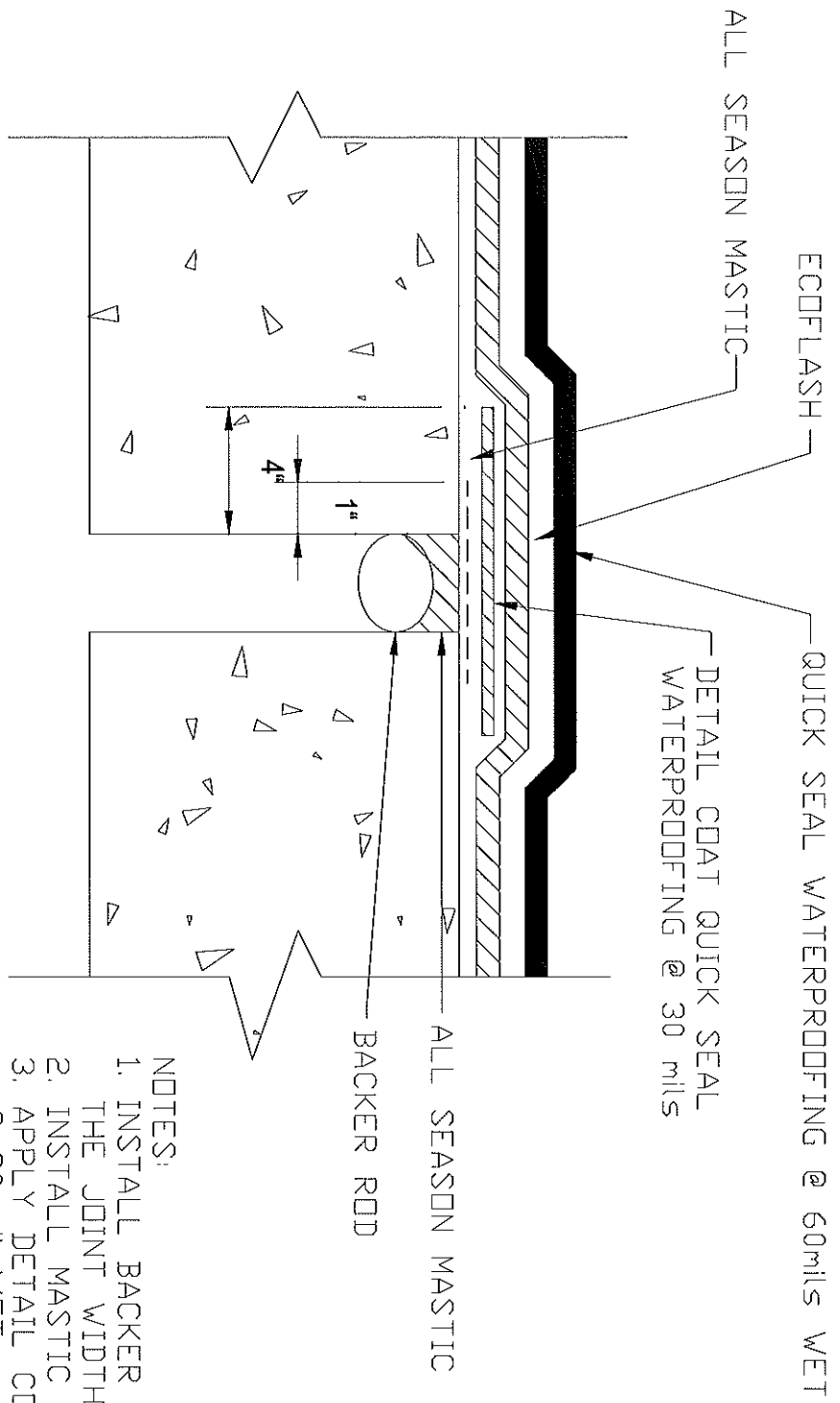


- NOTES:
1. APPLY MASTIC A MINIMUM OF 2" ON EITHER SIDE OF CRACK.
 2. APPLY ECCOFLASH A MINIMUM OF 4" ON EITHER SIDE OF CRACK.
 3. DETAIL ALL ECCOFLASH SEAMS WITH MASTIC

Mar-flex Building Solutions
 6866 Chrisman Lane
 Middletown, OH 45042
 513-422-7285/800-498-1411
 www.marflexbuildingsolutions.com

QS2/CTL

EXPANSION JOINTS LESS THAN 1/2"

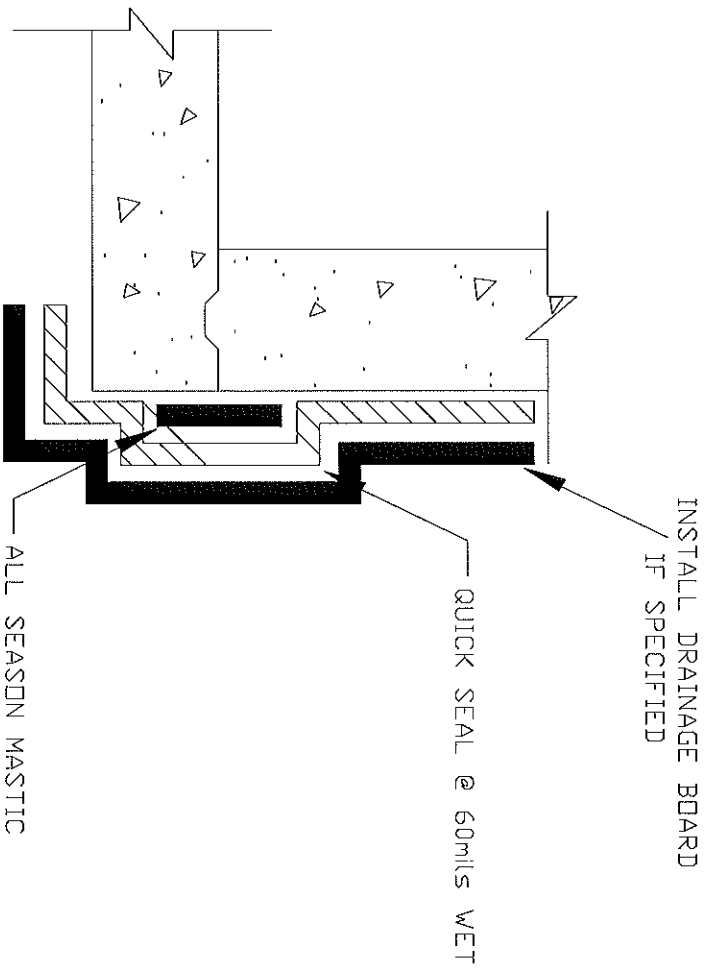
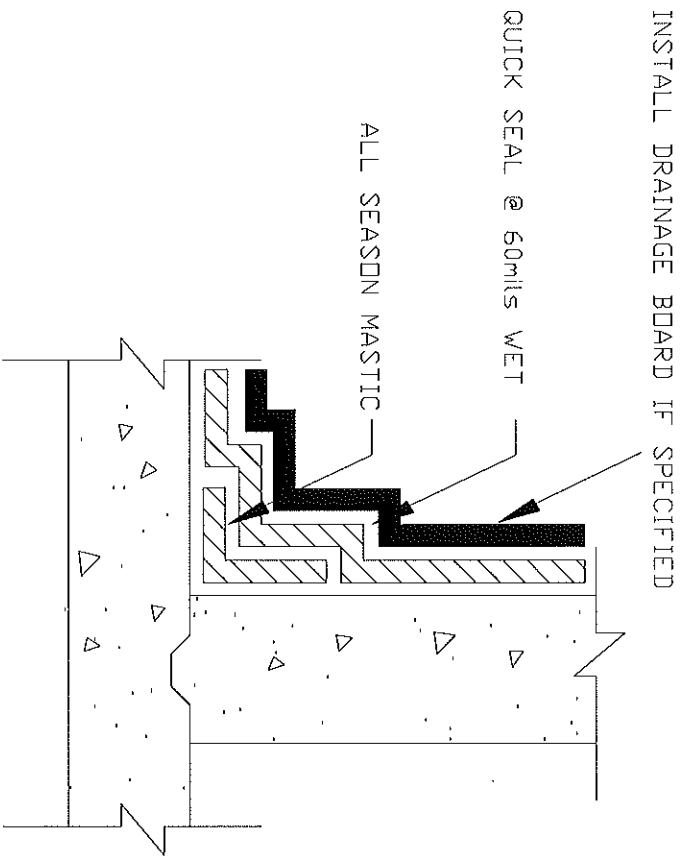


- NOTES:
1. INSTALL BACKER ROD 1/2 THE DEPTH OF THE JOINT WIDTH. 1/2" W = 1/4" DEPTH.
 2. INSTALL MASTIC FLUSH WITH SURFACE.
 3. APPLY DETAIL COAT OF QUICK SEAL @ 30 mils WET
 4. APPLY WATERPROOFING COAT @ 60mils WET

Mar-flex Building Solutions
 6866 Chrisman Lane
 Middletown, OH 45042
 513-422-7285/800-498-1411
 www.marflexbuildingsolutions.com

QS4/EJL

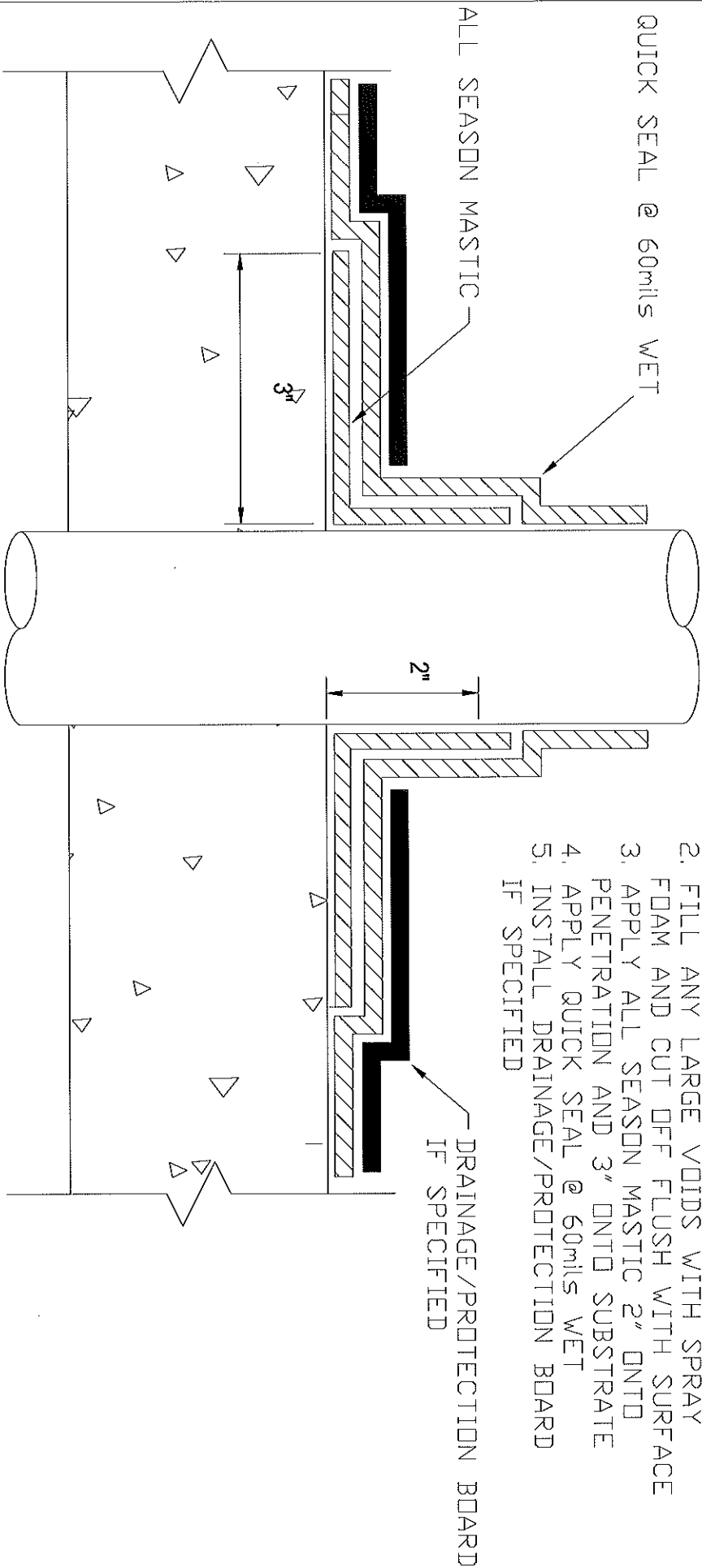
INSIDE/OUTSIDE ANGLE CHANGES WITH CONSTRUCTION JOINT



Mar-flex Building Solutions
6866 Chrisman Lane
Middletown, OH 45042
513-422-7285/800-498-1411
www.marflexbuilding.com

QSS/ACCJ

PIPE PENETRATION



- NOTES:
1. CLEAN METAL TO BRIGHT FINISH
 2. FILL ANY LARGE VOIDS WITH SPRAY FOAM AND CUT OFF FLUSH WITH SURFACE
 3. APPLY ALL SEASON MASTIC 2" ONTO PENETRATION AND 3" ONTO SUBSTRATE
 4. APPLY QUICK SEAL @ 60mils WET
 5. INSTALL DRAINAGE/PROTECTION BOARD IF SPECIFIED

Mar-flex Building Solutions
 6866 Chrisman Lane
 Middletown, OH 45042
 513-422-7285/800-498-1411
 www.marflexbuildingsolutions.com

Q58/TPP